

Power Solution for Wearable AMOLED Products

General Description

The RT4730 is a highly integrated power solution with Buck-Boost, and inverting charge pump to generate positive and negative output voltage. The output voltages can be adjusted with by SWIRE interface protocols. With its input voltage range of 2.9V to 5.2V, the RT4730 is optimized for products powered by single-cell batteries and symmetrical output currents up to 50mA. The RT4730 is available in the WL-CSP-16B 2.34x2.34 (BSC) package.

Ordering Information

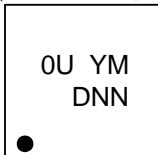
RT4730 □
 Package Type
 WSC : WL-CSP-16B 2.34x2.34 (BSC)

Note :

Richtek products are :

- ▶ RoHS compliant and compatible with the current requirements of IPC/JEDEC J-STD-020.
- ▶ Suitable for use in SnPb or Pb-free soldering processes.

Marking Information



0U : Product Code
 YMDNN : Date Code

Features

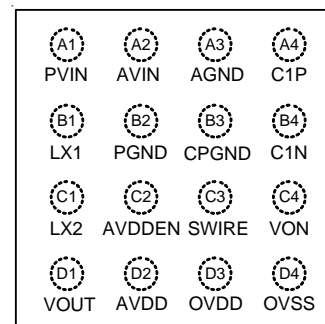
- Input Voltage Range : 2.9V to 5.2V
- Positive Output Voltage AVDD : 3.3V
- Positive Output Voltage OVDD Range : 2.8V to 4V (Default is 3.3V ±1%)
- Negative Output Voltage OVSS Range : -0.6V to -4V (Default is -3.3V ±1%)
- Excellent Line/Load Regulation
- Excellent Line/Load Transient
- Advanced Power-Save Mode for Light-Load Efficiency
- Low Output Ripple Voltage
- Built-in Internal Soft-Start
- True Output Load Disconnect From Input
- UVLO, SCP, OCP, OTP, OVP Protection
- Shutdown Current : Typ. 0.1µA

Applications

- Wearable AMOLED Products

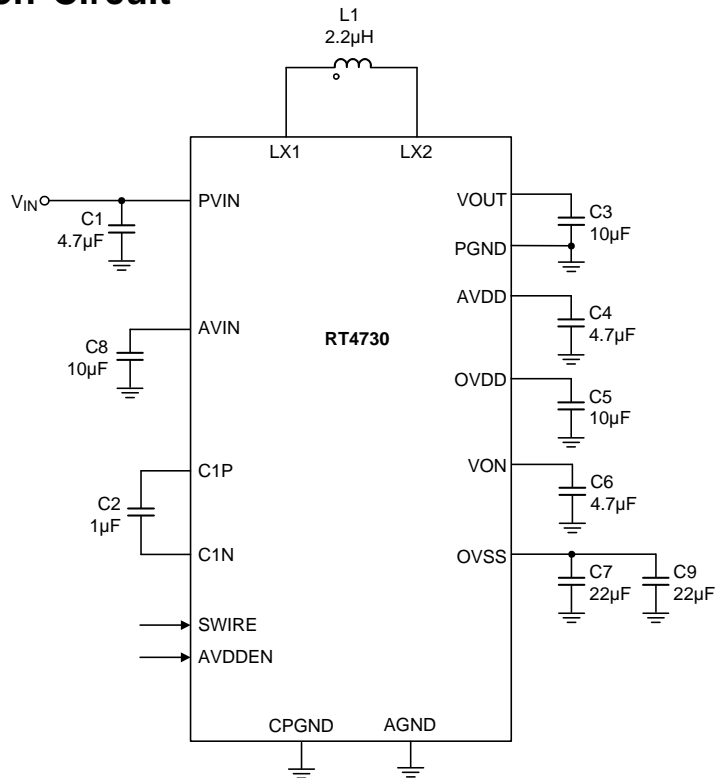
Pin Configuration

(TOP VIEW)



WL-CSP-16B 2.34x2.34 (BSC)

Typical Application Circuit



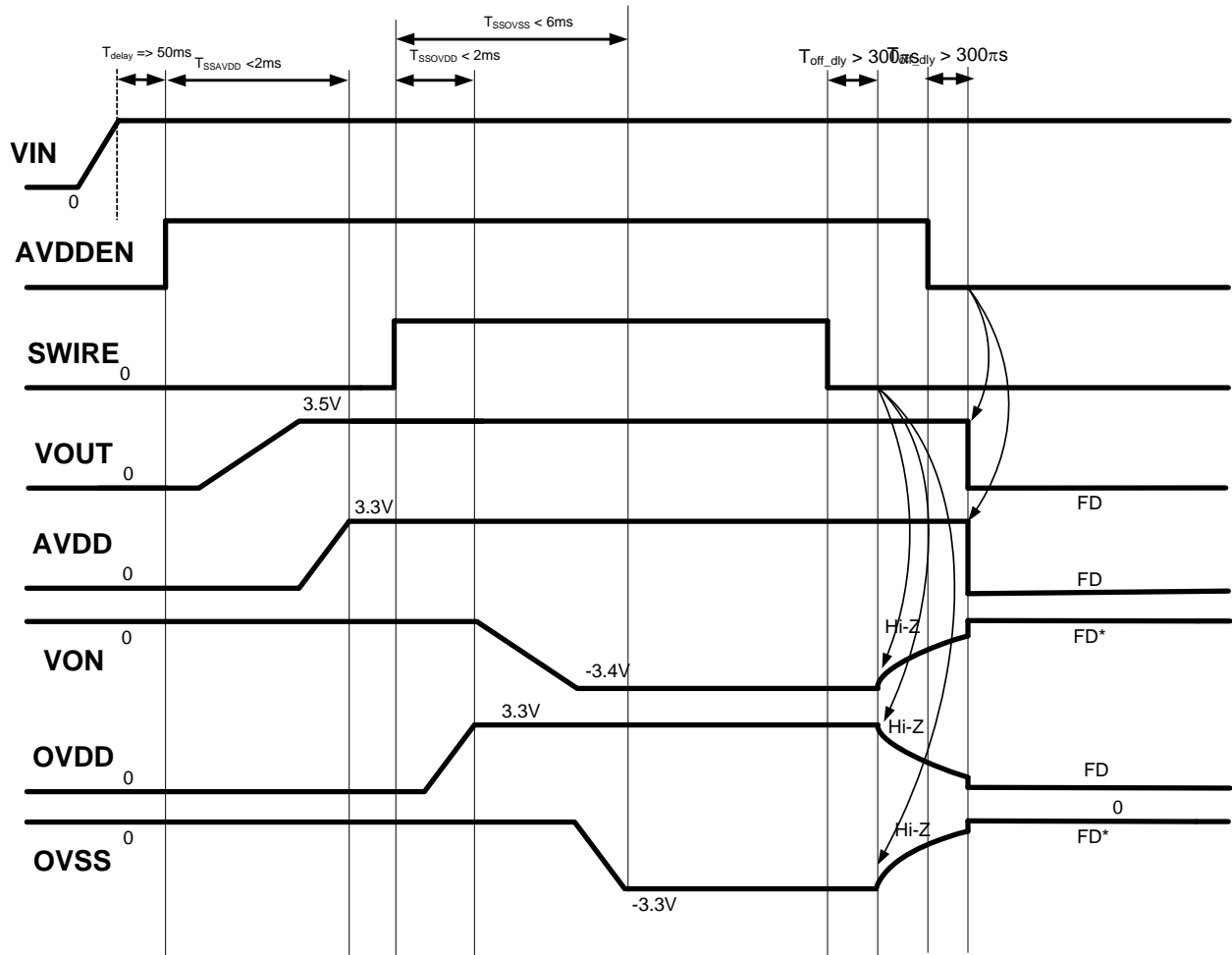
Recommend Component BOM List

Reference	Quantity	Description	Part Number	Package	Supplier
L1	1	2.2µH	1269AS-H-2R2M=P2	2.5mm x 2.0mm x 1.0mm	Murata
			ZTLF-2016TB-2R2M	2.0mm x 1.6mm x 1.0mm	ZenithTek
C1、C4、C6	3	4.7µF/16V/X5R	GRM188R61C475KAAJD	0603	Murata
C3、C5	2	10µF/16V/X5R	GRM188R61C106KAALD	0603	Murata
C2	1	1µF/6.3V/X5R	GRM033R60J105MEA2	0201	Murata
C8	1	10µF/6.3V/X5R	GRM155R60J106ME15	0402	Murata
C7、C9	2	22µF/6.3V/X5R	GRM155R60J226ME11D	0402	Murata

Timing Diagram

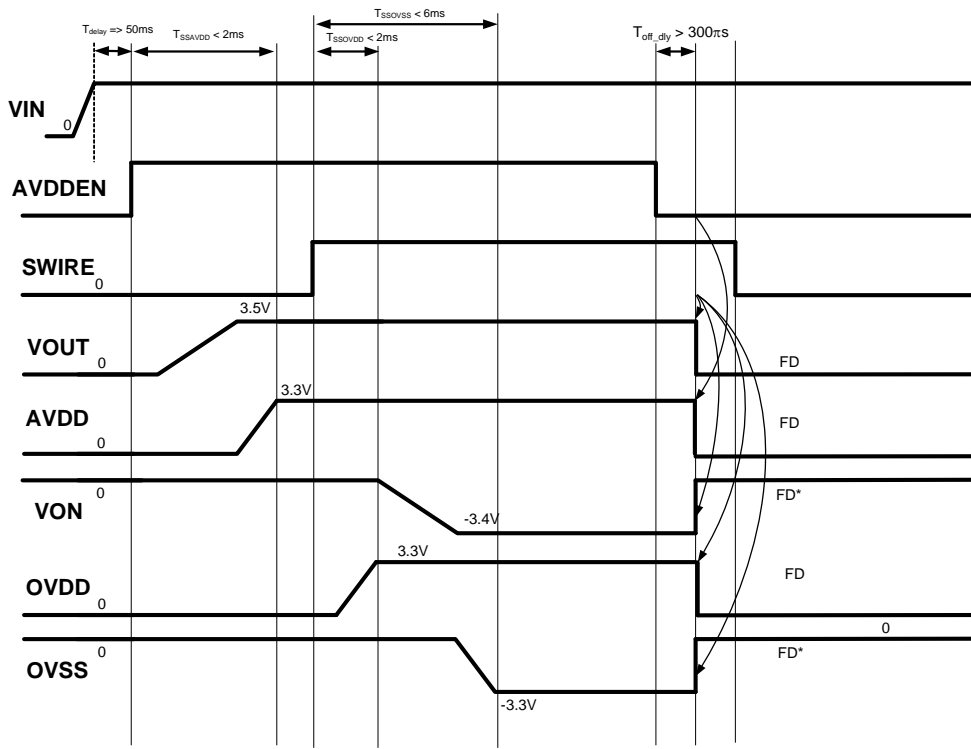
Power On/Off Sequence 1

AVDDEN = On → SWIRE = On → SWIRE = Off → AVDDEN = Off



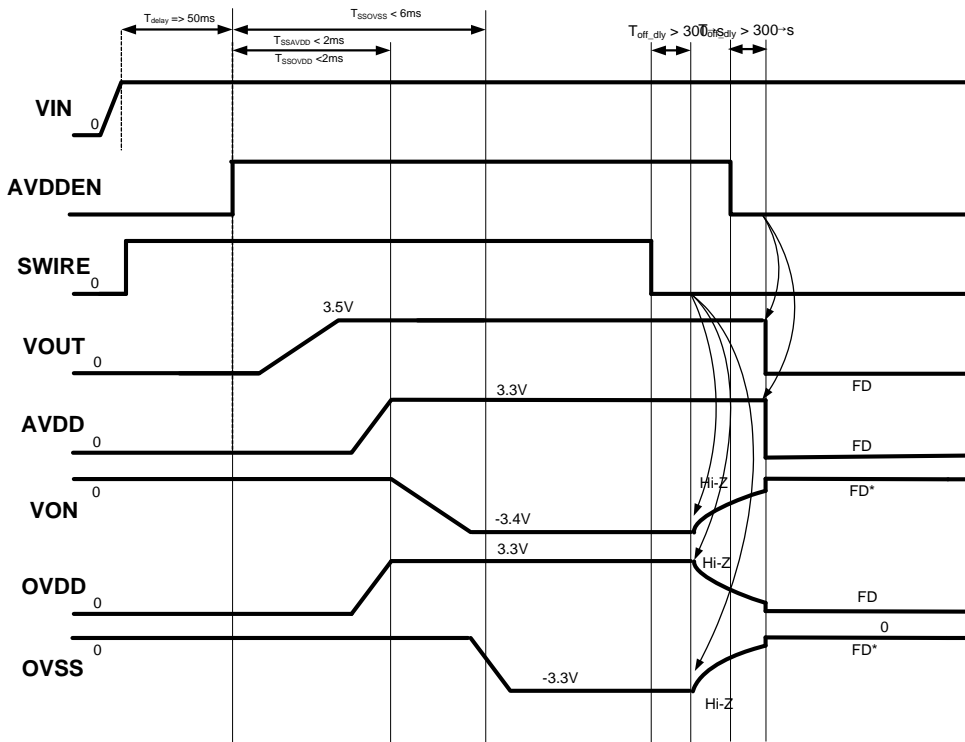
Power On/Off Sequence 2

AVDDEN = On → SWIRE = On → AVDDEN = Off → SWIRE=Off

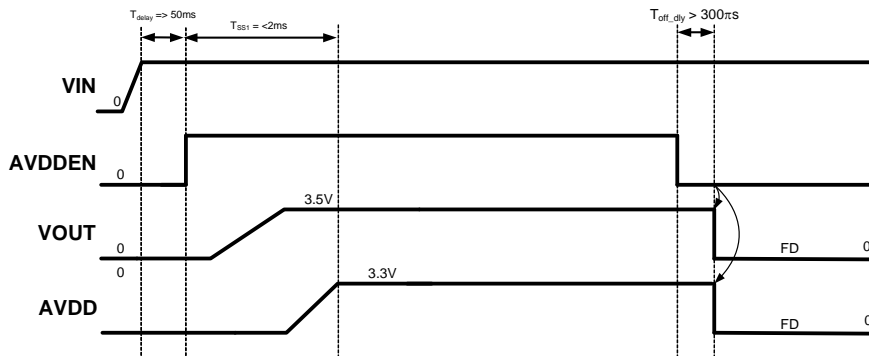


Power On/Off Sequence 3

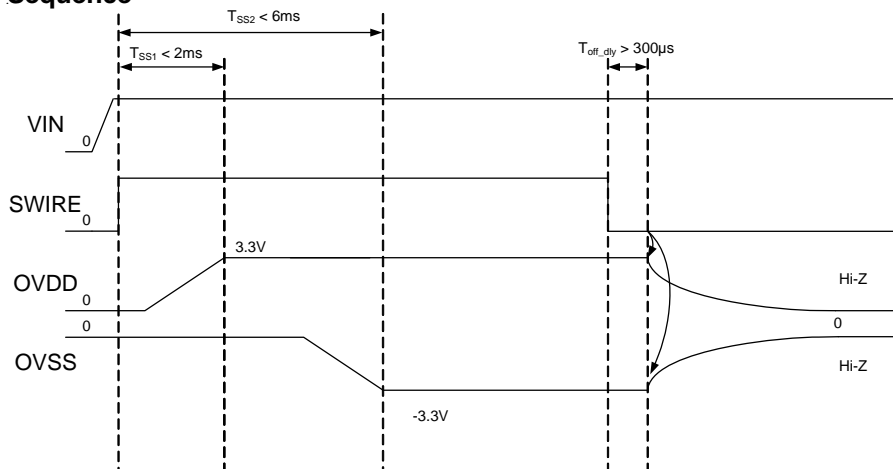
SWIRE= On → AVDDEN = On → SWIRE = Off → AVDDEN = Off



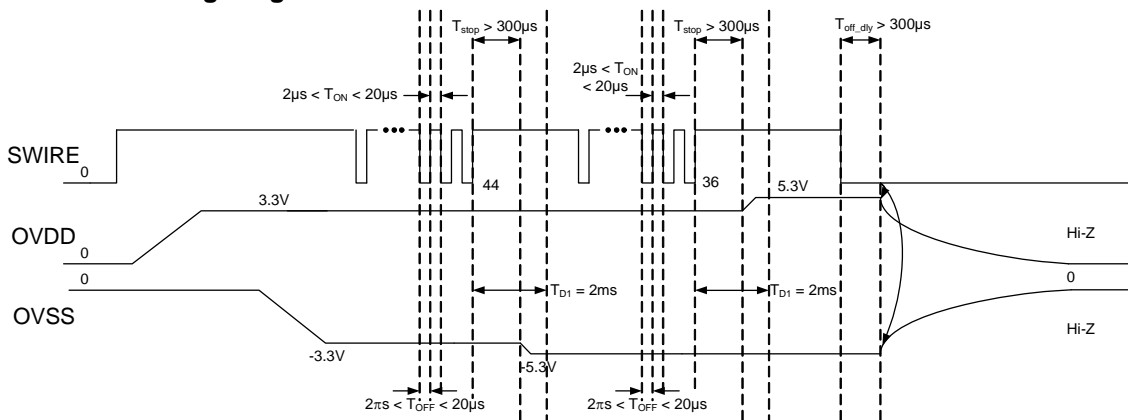
AVDD Power On Sequence



SWIRE Power On Sequence



SWIRE Command Timing Diagram



Power Off Discharge Table

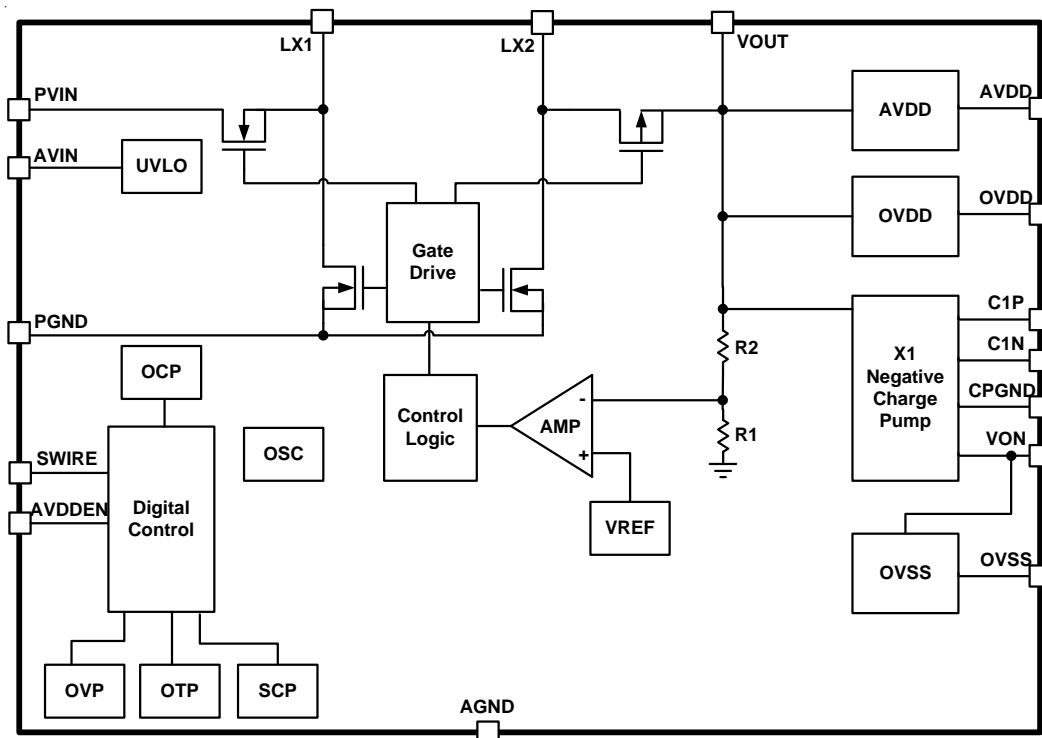
AVDD_EN	SWIRE	AVDD	OVDD	OVSS	BBST	NCP
0	0	FD	FD	FD*	FD	FD*
0	1	FD	FD	FD*	FD	FD*
1	0	--	Hi Z	Hi Z	--	Hi Z
1	1	--	--	--	--	--

FD* : Fast Discharge only 30ms

Functional Pin Description

Pin No.	Pin Name	Pin Function
A1	PVIN	Power input for buck-boost.
A2	AVIN	Analog power input for IC.
A3	AGND	Analog ground.
A4	C1P	Fly capacitor positive connection.
B1	LX1	LX1 switching node for buck-boost.
B2	PGND	Power ground for buck-boost.
B3	CPGND	Negative charge pump ground.
B4	C1N	Fly capacitor negative connection.
C1	LX2	LX2 switching node for buck-boost.
C2	AVDDEN	Enable for AVDD.
C3	SWIRE	SWIRE control interface.
C4	VON	Negative charge pump output.
D1	VOUT	Buck-boost output.
D2	AVDD	AVDD output.
D3	OVDD	OVDD output.
D4	OVSS	OVSS output.

Functional Block Diagram



Operation

The RT4730 is a highly integrated power solution with Buck-Boost, and inverting charge pump to generate positive and negative output voltage. The output voltages can be adjusted with by SWIRE interface protocols. The OVDD voltage range is from 2.8V to 4V with 100mV per step. The OVSS voltage is from -0.6V to -4V with 100mV per step. The AVDD positive output voltage is set at a typical value of 3.3V. With its input voltage range of 2.9V to 5.2V, the RT4730 is optimized for products powered by single-cell batteries and symmetrical output current up to 50mA. The RT4730 provides Over-Temperature Protection (OTP) and Short Circuit Protection (SCP) mechanisms to prevent the device from damage with abnormal operations. When the SWIRE and AVDDEN voltage are logic low, the IC will be shut down with low input supply current less than 2µA.

Absolute Maximum Ratings (Note 1)

- Supply Input Voltage, AVIN, PVIN to AGND ----- -0.3V to 6V
- VOUT, AVDD, OVDD, SWIRE, AVDDEN to AGND ----- -0.3V to 6V
- VON, OVSS to AGND ----- -6.6V to 0.3V
- C1P, LX1, LX2 ----- -1V to 6.6V
- C1N ----- -6.6V to 0.3V
- Power Dissipation, P_D @ T_A = 25°C
 - WL-CSP-16B 2.34 x 2.34 (BSC) ----- 2.36W
- Package Thermal Resistance (Note 2)
 - WL-CSP-16B 2.34 x 2.34 (BSC), θ_{JA} ----- 42.3°C/W
- Lead Temperature (Soldering, 10 sec.) ----- 260°C
- Junction Temperature ----- 150°C
- Storage Temperature Range ----- -65°C to 150°C
- ESD Susceptibility (Note 3)
 - HBM (Human Body Model) ----- 2kV
 - MM (Machine Model) ----- 200V
 - CDM (Charge Device Model) ----- 500V

Recommended Operating Conditions (Note 4)

- Supply Input Voltage ----- 2.9V to 5.2V
- Junction Temperature Range ----- -40°C to 125°C
- Ambient Temperature Range ----- -40°C to 85°C

Electrical Characteristics

(V_{IN} = 3.7V, AVDD = 3.3V, OVDD = 3.3V, OVSS = -3.3V, T_A = 25°C, unless otherwise specified)

Parameter	Symbol	Test Conditions	Min	Typ	Max	Unit
Input Power Supply						
Input Supply Voltage	V _{IN}		2.9	3.7	5.2	V
Quiescent Current	I _Q	AVDDEN = high, SWIRE = high	200	400	500	μA
		AVDDEN = high, SWIRE = low	100	200	300	
Shutdown Current	I _{SHDN}	AVDDEN = low, SWIRE = low	--	0.01	2	μA
Under-Voltage Lockout Threshold	V _{UVLOH}	V _{IN} rising	2.3	2.6	2.85	V
	V _{UVLOL}	V _{IN} falling	2.1	2.4	2.65	V
Thermal Shutdown	T _{SD}		135	140	163	°C
Thermal Shutdown Hysteresis	ΔT _{SD}		--	10	--	°C
SWIRE						
SWIRE Logic High-Level Voltage	V _{SRH}	V _{IN} = 2.9V to 5.2V	1.2	--	--	V
SWIRE Logic Low-Level Voltage	V _{SRL}	V _{IN} = 2.9V to 5.2V	GND	--	0.4	V
SWIRE Pulldown Resistor	R _{SR}		200	500	900	kΩ

Parameter	Symbol	Test Conditions	Min	Typ	Max	Unit
SWIRE Turn-off Detection Time	T_{off_dly}		300	--	--	μs
SWIRE Signal Stop Indicate Time	T_{stop}		300	--	--	μs
SWIRE Rising Time	t_r		--	--	200	ns
SWIRE Falling Time	t_f		--	--	200	ns
Clocked SWIRE High	T_{ON}		2	--	20	μs
Clocked SWIRE Low	T_{OFF}		2	--	20	μs
Input Clocked SWIRE Frequency	f_{SWIRE}		25	--	250	kHz
AVDDEN						
AVDD Enable Input Voltage	V_{IH}	$V_{IN} = 2.9V \text{ to } 5.2V$	1.2	--	--	V
	V_{IL}	$V_{IN} = 2.9V \text{ to } 5.2V$	GND	--	0.4	
Buck_Boost						
Positive Output Voltage Range	V_{OUT_RANGE}		3.5	--	4.2	V
Switching Frequency	f_{SW}		2.75	--	3.25	MHz
Over Current Protection	I_{OCP}		1.2	1.5	1.8	A
Negative Charge Pump						
Negative Output Voltage Range	V_{ON_RANGE}		-4.1	--	-0.7	V
Switching Frequency	f_{SW}		0.8	1	1.2	MHz
AVDD						
Positive Output Voltage Range	$AVDD_RANGE$		--	3.3	--	V
Positive Output Voltage Accuracy	$AVDD_Acc$	$AVDD = 3.3V,$ $AVDD = 3.3V I_{AVDD} = 0 \text{ to } 10mA$	-1	--	1	%
Output Current Capability	I_{AVDD}	$V_{IN} = 2.9 \text{ to } 5.2V, AVDD = 3.3V$	10	--		mA
Line Regulation	V_{AVDD_LINE}	$V_{IN} = 2.9 \text{ to } 5.2V, I_{AVDD} = 10mA$	-10	--	10	mV
Load Regulation	V_{AVDD_LOAD}	$I_{AVDD} = 0 \text{ to } 10mA$	-10	--	10	mV
Output Ripple	V_{AVDD_RIPPLE}	$AVDD = 3.3V, I_{AVDD} = 0 \text{ to } 10mA$	--	--	20	mV
Current Limit	I_{AVDD_LIMIT}		100	150	300	mA
Discharge Resistance	R_{AVDD_RDIS}		100	400	430	Ω
Short Circuit Protection	$AVDD_SCP$		75	80	92	%
OVDD						
Positive Output Voltage Range	$VOVDD_RANGE$		2.8	3.3	4	V
Positive Output Voltage Accuracy	$OVDD_Acc$	$OVDD = 3.3V,$ $I_{OVDD} = 0mA \text{ to } 10mA$	-1	--	1	%
Output Current Capability	I_{OVDD}	$V_{IN} = 2.9 \text{ to } 5.2V, OVDD = 3.3V$	50	--	--	mA

Parameter	Symbol	Test Conditions	Min	Typ	Max	Unit
Line Regulation	VOVDD_LINE	V _{IN} = 2.9 to 5.2V, I _{OVDD} = 10mA	-10	--	10	mV
Load Regulation	VOVDD_LOAD	I _{OVDD} = 0 to 10mA	-10	--	10	mV
Output Ripple	VOVDD_RIPPLE	OVDD = 3.3V, I _{OVDD} = 0 to 10mA	--	--	10	mV
Current Limit	I _{OVDD_LIMIT}		100	150	300	mA
Discharge Resistance	ROVDD_RDIS		100	400	430	Ω
Short Circuit Protection	OVDD_SCP		75	80	92	%
OVSS						
Negative Output Voltage Range	VOVSS_RANGE		-4	-3.3	-0.6	V
Negative Output Voltage Accuracy	OVSS_Acc	OVSS = -3.3V, I _{OVSS} = 0mA to 10mA	-1	--	1	%
Output Current Capability	I _{OVSS}	V _{IN} = 2.9 to 5.2V, OVSS = -3.3V, Fly cap is 4.7μF & accuracy + / - 1%	50	--	--	mA
Line Regulation	VOVSS_LINE	V _{IN} = 2.9 to 5.2V, I _{OVSS} = 10mA	-10	--	10	mV
Load Regulation	VOVSS_LOAD	I _{OVSS} = 0 to 10mA	-10	--	10	mV
Output Ripple	VOVSS_RIPPLE	OVSS = 3.3V, I _{OVDD} = 0 to 10mA	--	--	20	mV
Current Limit	I _{OVSS_LIMIT}		90	100	300	mA
Discharge Resistance	ROVSS_RDIS		5	400	430	Ω
Short Circuit Protection	OVSS_SCP		75	80	92	%

Note 1. Stresses beyond those listed under “Absolute Maximum Ratings” may cause permanent damage to the device.

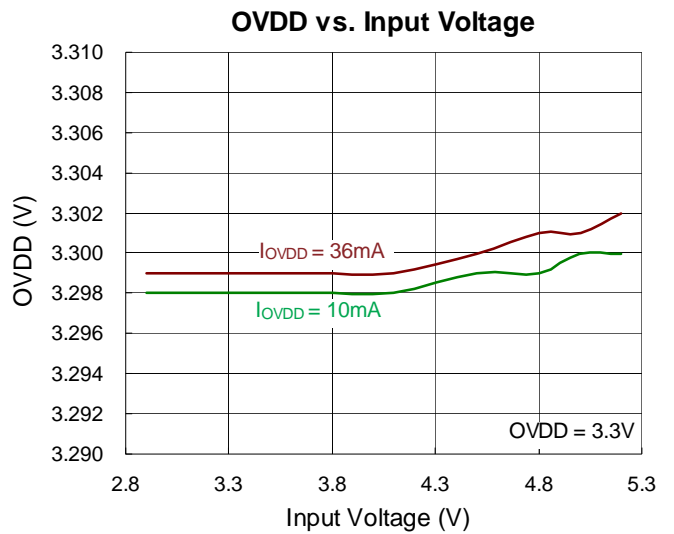
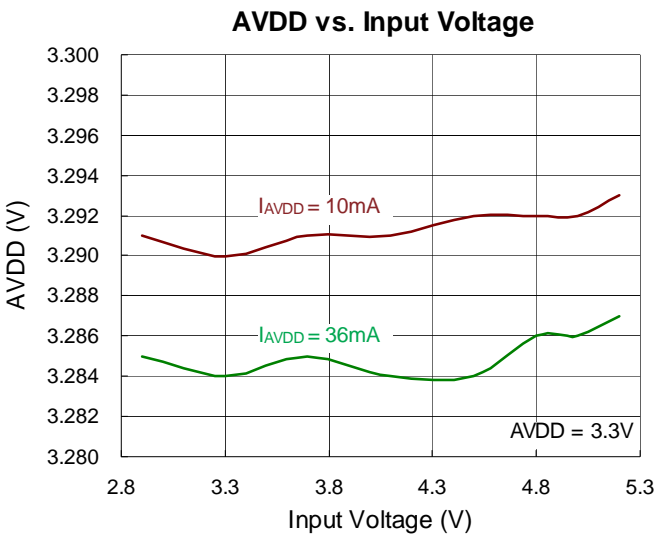
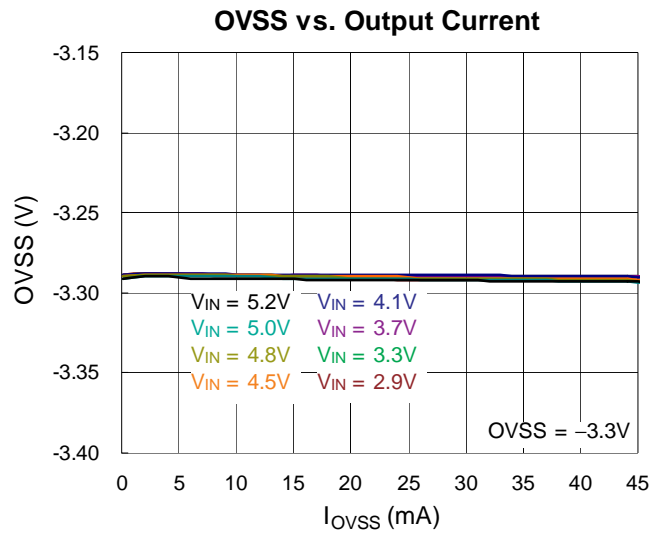
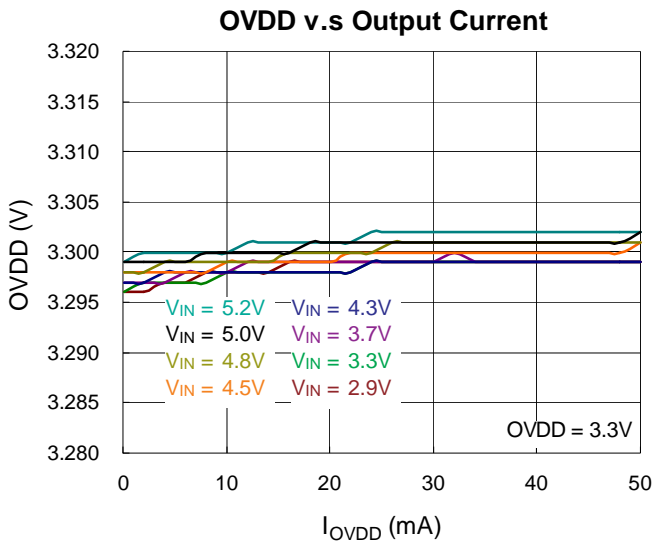
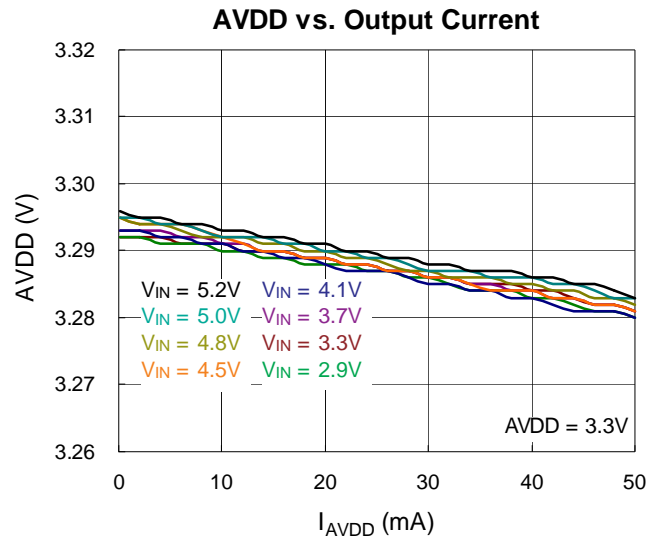
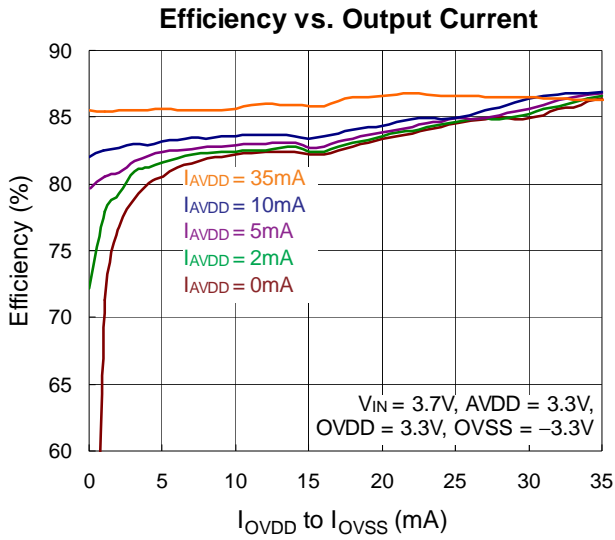
These are stress ratings only, and functional operation of the device at these or any other conditions beyond those indicated in the operational sections of the specifications is not implied. Exposure to absolute maximum rating conditions may affect device reliability.

Note 2. θ_{JA} is measured under natural convection (still air) at T_A = 25°C with the component mounted on a high effective-thermal-conductivity four-layer test board on a JEDEC 51-7 thermal measurement standard.

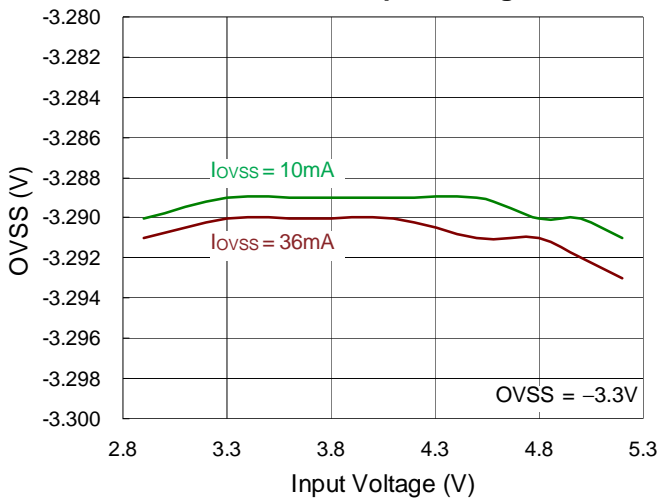
Note 3. Devices are ESD sensitive. Handling precaution is recommended.

Note 4. The device is not guaranteed to function outside its operating conditions.

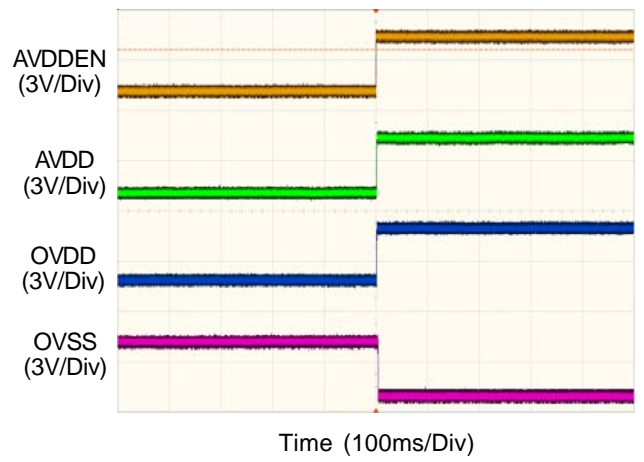
Typical Operating Characteristics



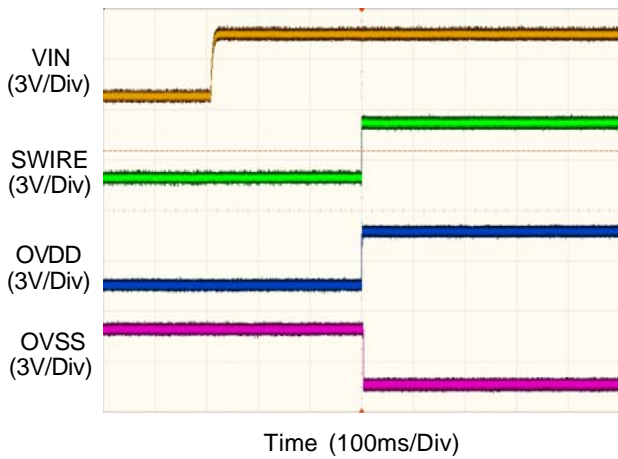
OVSS vs. Input Voltage



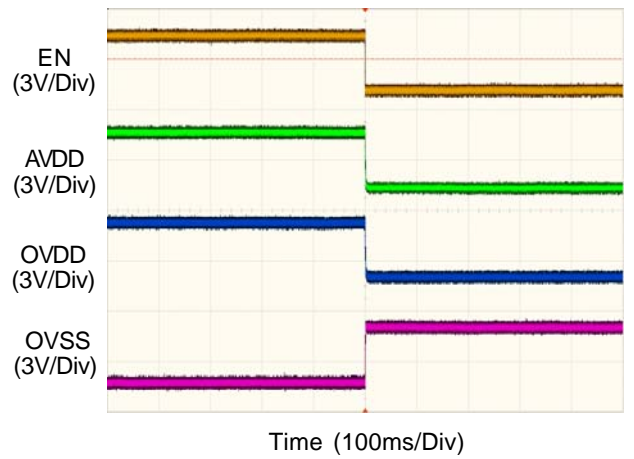
AVDDEN Power On



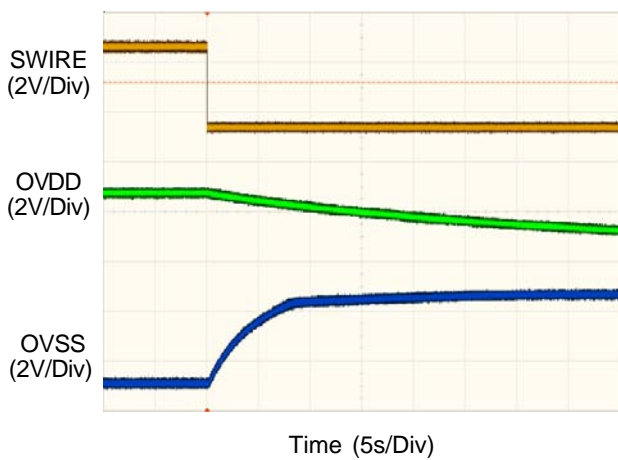
SWIRE Power On



AVDDEN Power Off



SWIRE Power Off



Application Information

The RT4730 is a highly integrated power solution with Buck-Boost and inverting charge pump to generate positive and negative output voltage for AMOLED bias. The Buck-Boost DC-DC converter can operate with wide input voltage from 2.9V to 5.2V. The converter feedback loop is internally compensated for both Buck and Boost operation and it provides seamless transition between Buck and Boost modes operation.

Input Capacitor Selection

PVIN input ceramic capacitor with 4.7μF capacitance and AVIN input ceramic capacitor with 10μF capacitance is suggested for applications. For better voltage filtering, select ceramic capacitors with low ESR, X5R and X7R types are suitable because of their voltage and temperature ranges.

Inductor Selection

The recommended power inductor is 2.2μH. In applications, need to select an inductor with the low DCR to provide good performance and efficiency.

Output Capacitor Selection

The output capacitor selection determines the output voltage ripple and transient response. It is recommended to use ceramic capacitors placed as close as possible to output and GND pins of the IC.

Under Voltage Lockout

The prevent abnormal operation of the IC in low voltage condition, an under voltage lockout is included which shuts down IC operation when input voltage is lower than the specified threshold voltage.

Positive and Negative Output Voltage Setting

The positive and negative output voltage can be programmed by a MCU through the dedicated pin according to SWIRE pulse.

Over Current Protection

The RT4730 includes a cycle-by-cycle current limit function which monitor the inductor current during each ON period. The power switch will be forced off to avoid large current damage once the current is over the limit level.

Short Circuit Protection

The RT4730 has an advanced output short-circuit protection mechanism which prevents the IC from damage by unexpected application. When the output becomes shorted to ground, and the output voltage is under the limit level, the IC enters shutdown mode and can only re-start normal operation after re-power on.

Over Temperature Protection

The RT4730 equips an over temperature protection circuitry to prevent overheating due to excessive power dissipation. The OTP will shut down the bias operation when ambient temperature exceeds 140°C. Once the ambient temperature cools down by approximately 10°C, IC will automatically resume normal operation. To maintain continuous operation, the maximum junction temperature should be prevented from rising above 130°C.

Thermal Considerations

The junction temperature should never exceed the absolute maximum junction temperature $T_{J(MAX)}$, listed under Absolute Maximum Ratings, to avoid permanent damage to the device. The maximum allowable power dissipation depends on the thermal resistance of the IC package, the PCB layout, the rate of surrounding airflow, and the difference between the junction and ambient temperatures. The maximum power dissipation can be calculated using the following formula :

$$P_{D(MAX)} = (T_{J(MAX)} - T_A) / \theta_{JA}$$

where $T_{J(MAX)}$ is the maximum junction temperature, T_A is the ambient temperature, and θ_{JA} is the junction-to-ambient thermal resistance.

For continuous operation, the maximum operating junction temperature indicated under Recommended Operating Conditions is 125°C. The junction-to-ambient thermal resistance, θ_{JA} , is highly package dependent. For a WL-CSP-16B 2.34 x 2.34 (BSC), the thermal resistance, θ_{JA} , is 42.3°C/W on a standard JEDEC 51-7 high effective-thermal-conductivity four-layer test board. The maximum power dissipation at $T_A = 25^\circ\text{C}$ can be calculated as below :

$$P_{D(MAX)} = (125^\circ\text{C} - 25^\circ\text{C}) / (42.3^\circ\text{C/W}) = 2.36\text{W for a WL-CSP-16B 2.34 x 2.34 (BSC) package.}$$

The maximum power dissipation depends on the operating ambient temperature for the fixed $T_{J(MAX)}$ and the thermal resistance, θ_{JA} . The derating curves in Figure 1 allows the designer to see the effect of rising ambient temperature on the maximum power dissipation.

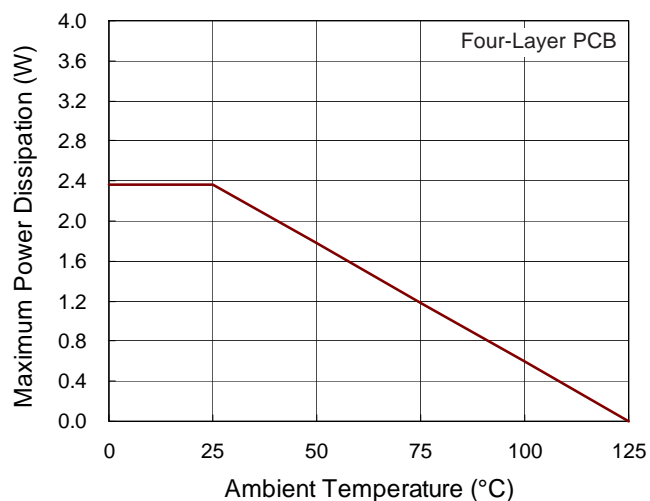


Figure 1. Derating Curve of Maximum Power Dissipation

SWIRE Setting

Pulse	Function Description
0	Default value: OVDD = 3.3V, OVSS = -3.3V
116	OVDD is turned on
117	VON/OVSS is turned on
118	OVDD is turned off
119	VON/OVSS is turned off
120	VON/OVSS discharge to GND, with slow slew rate then enter high impedance state
121	Soft-reset, clear all setting and back to default state
10-22	OVDD setting (2.8V to 4V)
58-92	OVSS setting (-4V to -0.6V)

Pulse	VOUT	OVDD
10	3.5	2.8
11	3.5	2.9
12	3.5	3
13	3.5	3.1
14	3.5	3.2
15	3.5	3.3
16	3.6	3.4
17	3.7	3.5
18	3.8	3.6
19	3.9	3.7
20	4	3.8
21	4.1	3.9
22	4.2	4

Pulse	VON	OVSS	Pulse	VON	OVSS
58	-4.1	-4	76	-2.3	-2.2
59	-4	-3.9	77	-2.2	-2.1
60	-3.9	-3.8	78	-2.1	-2
61	-3.8	-3.7	79	-2	-1.9
62	-3.7	-3.6	80	-1.9	-1.8
63	-3.6	-3.5	81	-1.8	-1.7
64	-3.5	-3.4	82	-1.7	-1.6
65	-3.4	-3.3	83	-1.6	-1.5
66	-3.3	-3.2	84	-1.5	-1.4
67	-3.2	-3.1	85	-1.4	-1.3
68	-3.1	-3	86	-1.3	-1.2
69	-3	-2.9	87	-1.2	-1.1
70	-2.9	-2.8	88	-1.1	-1
71	-2.8	-2.7	89	-1	-0.9
72	-2.7	-2.6	90	-0.9	-0.8
73	-2.6	-2.5	91	-0.8	-0.7
74	-2.5	-2.4	92	-0.7	-0.6
75	-2.4	-2.3			

$VOUT = \text{MAX}(AVDD, OVDD, |OVSS|) + 0.2V$

Layout Considerations

For the best performance of the RT4730, the following PCB layout guidelines should be strictly followed.

- ▶ For good regulation, place the power component as close to the IC as possible. The traces should be wide and short especially for the high current output loop.
- ▶ The input and output bypass capacitor should be placed as close the IC as possible and connected to the ground plane of the PCB.
- ▶ The flying capacitor should be placed as close to the C1P/C1N pin as possible to avoid noise injection.
- ▶ The inductor should be placed as close to LX1 and LX2 pin for reducing EMI.
- ▶ Minimize the size of the LX1 and LX2 and keep the traces wide and short. Care should be taken to avoid running traces that carry any noise-sensitive signals near LX1 and LX2

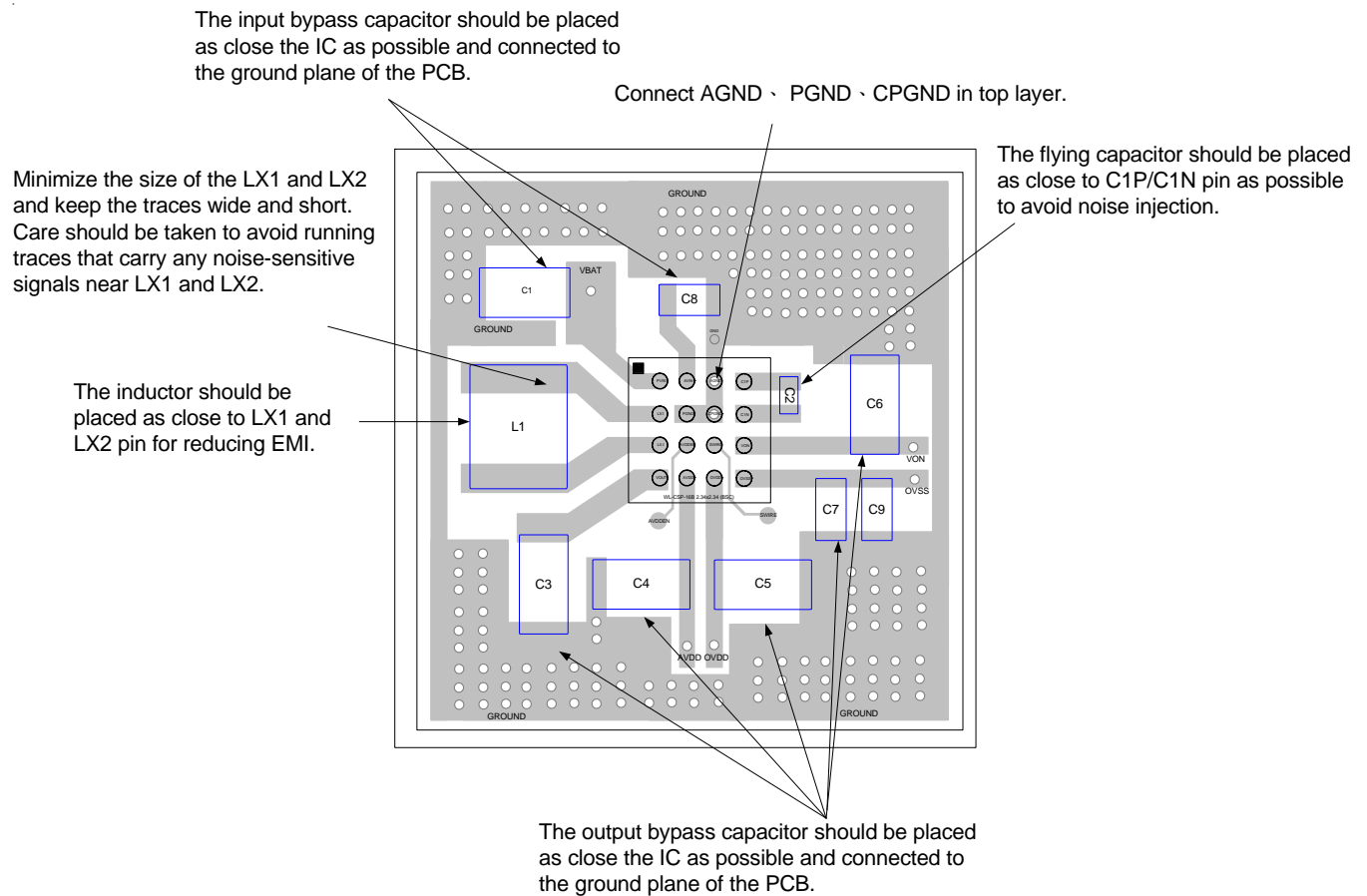
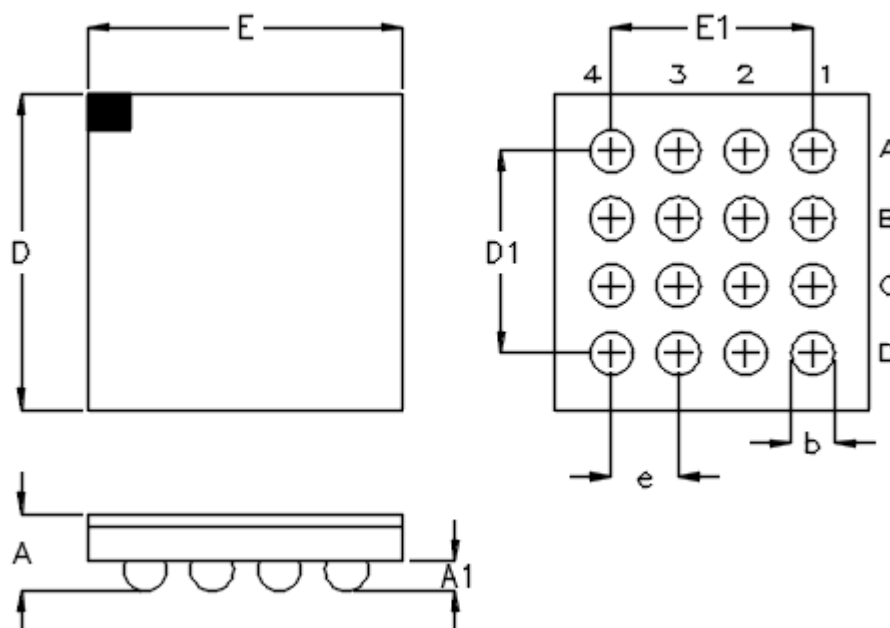


Figure 2. PCB Layout Guide

Outline Dimension



Symbol	Dimensions In Millimeters		Dimensions In Inches	
	Min.	Max.	Min.	Max.
A	0.525	0.625	0.021	0.025
A1	0.200	0.260	0.008	0.010
b	0.290	0.350	0.011	0.014
D	2.300	2.380	0.091	0.094
D1	1.500		0.059	
E	2.300	2.380	0.091	0.094
E1	1.500		0.059	
e	0.500		0.020	

16B WL-CSP 2.34x2.34 Package (BSC)

Richtek Technology Corporation

14F, No. 8, Tai Yuen 1st Street, Chupei City
 Hsinchu, Taiwan, R.O.C.
 Tel: (8863)5526789

Richtek products are sold by description only. Richtek reserves the right to change the circuitry and/or specifications without notice at any time. Customers should obtain the latest relevant information and data sheets before placing orders and should verify that such information is current and complete. Richtek cannot assume responsibility for use of any circuitry other than circuitry entirely embodied in a Richtek product. Information furnished by Richtek is believed to be accurate and reliable. However, no responsibility is assumed by Richtek or its subsidiaries for its use; nor for any infringements of patents or other rights of third parties which may result from its use. No license is granted by implication or otherwise under any patent or patent rights of Richtek or its subsidiaries.