

High Efficiency Backlight LED Driver

General Description

The RT4532 is a high-efficiency LED driver for backlight applications. An asynchronous boost converter with an internal Schottky diode and a current source driver are designed to support 6LED/channel with wide input voltage range from 2.5V to 5.5V.

An I²C interface can provide easy backlight control in fast and high speed mode. The RT4532 supports linear mappings with 256 steps to setup the brightness of backlight LEDs. It also supports PWM dimming to adjust the brightness.

The RT4532 provides complete protection functions such as input under-voltage lockout, over-current, output over-voltage and over-temperature protection. The OVP threshold voltage can be set at 16V and 24V for different applications. The RT4532 is available in the WL-CSP-10B 0.87x2.07 package.

Ordering Information

RT4532 □
 Package Type
 WSC : WL-CSP-10B 0.87x2.07 (BSC)

Note :

Richtek products are :

- ▶ RoHS compliant and compatible with the current requirements of IPC/JEDEC J-STD-020.
- ▶ Suitable for use in SnPb or Pb-free soldering processes.

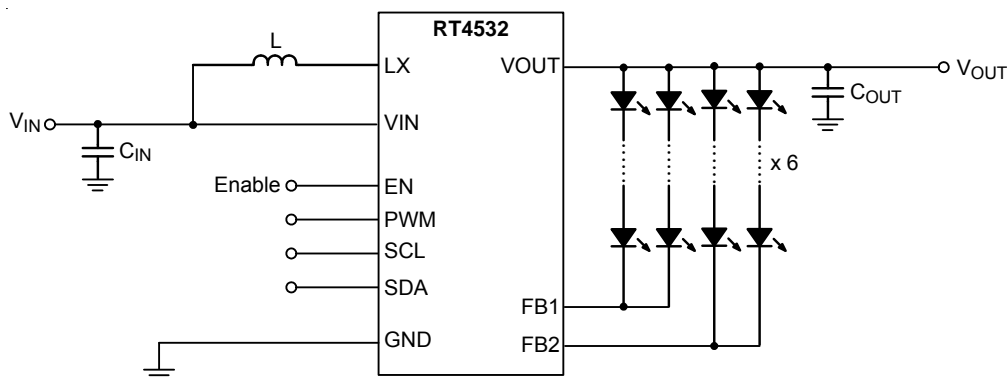
Features

- Input Voltage Range : 2.5V to 5.5V
- Internal Schottky Diode
- Fast-speed mode I²C Compatible Interface
- Drive Up to 6 WLEDs in 4 String
- External PWM Brightness Control
- 550k/1.1MHz Switching Frequency
- Built-in Internal Soft-Start
- I²C Programmable 256 Steps Linear Current Regulation
- Up to 85% Efficiency with Small Magnetics
- Programmable 16V/24V OVP
- Current Accuracy ±5% and Current Balance ±3%
- UVLO, OVP, OCP, OTP Protection
- Shutdown Current : < 1μA
- Temperature Range : -40°C to 85°C

Applications

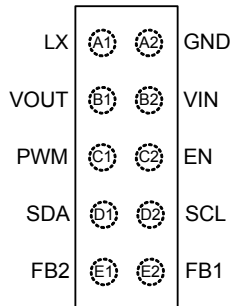
- Cellular Phones
- Digital Cameras
- PDAs and Smart Phones
- Portable Instruments

Simplified Application Circuit



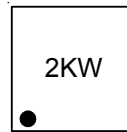
Pin Configuration

(TOP VIEW)



WL-CSP-10B 0.87x2.07(BSC)

Marking Information



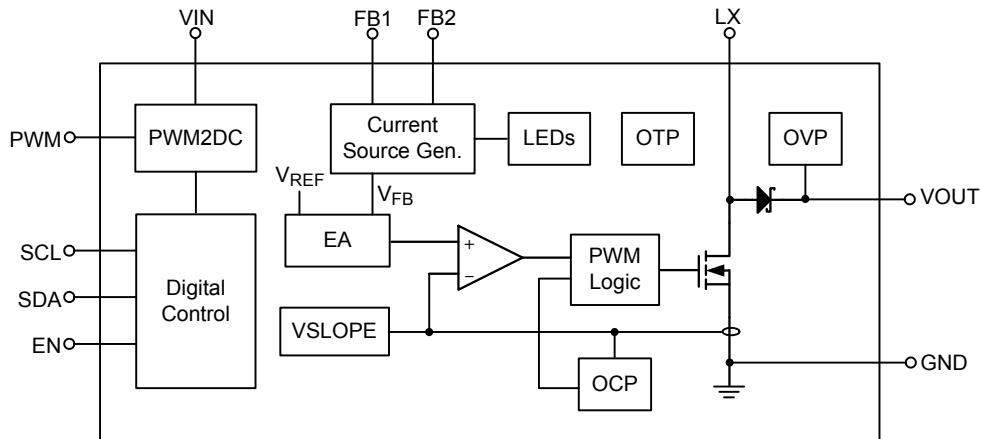
2K : Product Code

W : Date Code

Functional Pin Description

Pin No.	Pin Name	Pin Function
A1	LX	Switch node of boost converter. Connect an inductor between LX and VIN.
A2	GND	Ground.
B1	VOUT	Power output of the asynchronous boost converter for backlight LEDs. Connect a 1μF or larger ceramic capacitor from VOUT to ground.
B2	VIN	Power input. Connect this pin to the input power supply voltage. Connect a 10μF or larger ceramic capacitor from the VIN to ground.
C1	PWM	PWM dimming input for backlight LED.
C2	EN	Enable control input (active high). The chip is in shutdown mode when the EN pin is low.
D1	SDA	I ² C serial data input/output. An external pull-up resistor is required.
D2	SCL	I ² C serial clock input. An external pull-up resistor is required.
E1	FB2	Single output 2 for backlight LED.
E2	FB1	Single output 1 for backlight LED.

Functional Block Diagram



Operation

The RT4532 is a high efficiency solution with 24 WLEDs in 4 parallels 6 series for backlight applications. The RT4532 optimizes the feedback regulation voltage to provide up to 85% high efficiency with as high as 8bits resolution application.

Linear Brightness Dimming

The RT4532 is built-in a I²C 8-bit resolution brightness control with maximum 20mA/40mA selection. Reg0x02<3> corresponds to full-scale LED current control. Reg0x04 sets 8bits resolution brightness dimming.

PWM Brightness Dimming

Besides programmable built-in I²C backlight LED current control, the RT4532 features a built-in PWM dimming current control by setting Reg0x02<6> to 1, offering a linear current dimming by external clock source. In order to guarantee the PWM dimming resolution, recommending dimming frequency have to be operated at range of 400Hz to 20kHz.

OCP Protection

The RT4532 features a 1.2A current limitation. Once detecting current level over current limitation, the RT4532's LX witching will be forced off to avoid large current damage.

OTP Protection

The over-temperature protection function will be latched at shutdown status when the junction temperature exceeds 140°C for 2ms. After re-power on sequence, the converter will automatically resume switching.

OVP Protection

The over-voltage protection function monitors the output voltage via the VOUT pin voltage. The OVP threshold voltage is 24V/16V by selecting Reg0x02<7>. Once the LED is open, the output voltage reaches the OVP threshold, the driver will be shut down.

Absolute Maximum Ratings (Note 1)

- Supply Input Voltage, V_{IN} ----- -0.3V to 6V
- Boost Output Voltage, V_{OUT} ----- -0.3V to 26V
- Switching Voltage, V_{LX} ----- -0.3V to 26V
- Current Source Voltage, FB1, FB2 ----- -0.3V to 26V
- Other Pins, EN, PWM, SCL, SDA ----- -0.3V to 6V
- Power Dissipation, P_D @ $T_A = 25^\circ\text{C}$
 WL-CSP-10B 0.87x2.07 (BSC) ----- 1W
- Package Thermal Resistance (Note 2)
 WL-CSP-10B 0.87x2.07 (BSC), θ_{JA} ----- 99.6°C/W
- Lead Temperature (Soldering, 10 sec.) ----- 260°C
- Junction Temperature ----- 150°C
- Storage Temperature Range ----- -65°C to 150°C
- ESD Susceptibility (Note 3)
 HBM (Human Body Model) ----- 2kV
 MM (Machine Model) ----- 200V

Recommended Operating Conditions (Note 4)

- Supply Input Voltage, V_{IN} ----- 2.5V to 5.5V
- Junction Temperature Range ----- -40°C to 125°C
- Ambient Temperature Range ----- -40°C to 85°C

Electrical Characteristics

($V_{IN} = 3.6\text{V}$, $C_{IN} = 10\mu\text{F}$, $C_{OUT} = 1\mu\text{F}$, $L = 10\mu\text{H}$, $T_A = 25^\circ\text{C}$, unless otherwise specified)

Parameter	Symbol	Test Conditions	Min	Typ	Max	Unit
Input Power Supply						
Input Supply Voltage	V_{IN}		2.5	--	5.5	V
V_{IN} Quiescent Current	I_Q	PWM, No Switching	--	0.6	--	mA
Shutdown Current	I_{SHDN}	$V_{IN} = 4.2\text{V}$, EN = GND	--	1	3	μA
Under-Voltage Lockout Threshold	V_{UVLO}	V_{IN} Falling, Check $I_Q < 200\mu\text{A}$	--	--	2.3	V
Under-Voltage Lockout Hysteresis	ΔV_{UVLO}	After UVLO, V_{IN} Rising, Until $I_Q > 200\mu\text{A}$	--	150	--	mV
Backlight LED Current Source						
Accuracy of Output Current	I_{LED_ACC}	FB1, FB2 = 0.15V, $I_{FB1} = I_{FB2} = 20\text{mA}$	-5	--	5	%
Matching of Output Current	I_{LED_MAT}	FB1, FB2 = 0.15V, $I_{FB1} = I_{FB2} = 20\text{mA}$	-3	--	3	%
Oscillator and Timing						
Operating Frequency	f_{SW}	Reg0x03 [6] = 1	0.88	1.1	1.32	MHz
Maximum Duty Cycle	D_{MAX}	FB1 = FB2 = 0V, check MAX duty	90	95	--	%
Brightness Ramp Rate	T_{RAMP}	Reg0x03 [5:0] = 111111	209.72	262.14	314.58	ms

Parameter	Symbol	Test Conditions	Min	Typ	Max	Unit
Power Switch						
N-MOSFET On-Resistance	R _{DS(ON)_N}	V _{IN} = 3.6V	100	200	300	mΩ
N-MOSFET Current Limit	I _{OC}		1	1.2	1.4	A
N-MOSFET Leakage Current	I _{LEAK}	LX = 24V, No Switching	--	--	1	μA
Protection Function						
Over Voltage Protection	OVP	Reg0x02 [7] = 0	14	16	18	V
		Reg0x02 [7] = 1	23	24	25	V
Thermal Shutdown Threshold	T _{SD}	Thermal latch	--	150	--	°C
Logic Control						
EN Input Voltage	Logic-High	V _{ENH}	1.05	--	--	V
	Logic-Low	V _{ENL}	--	--	0.4	
PWM Input Voltage	Logic-High	V _{PWML}	1.05	--	--	V
	Logic-Low	V _{PWML}	--	--	0.4	
SCL Input Voltage	Logic-High	V _{SCLH}	1.3	--	--	V
	Logic-Low	V _{SCLL}	--	--	0.4	
SDA Input Voltage	Logic-High	V _{SDAH}	1.3	--	--	V
	Logic-Low	V _{SDAL}	--	--	0.4	
EN Pull-Down Resistance			--	400	--	kΩ
PWM Pull-Down Resistance			--	400	--	kΩ
Clock Frequency of SCL	f _{SCL}		--	--	400	kHz

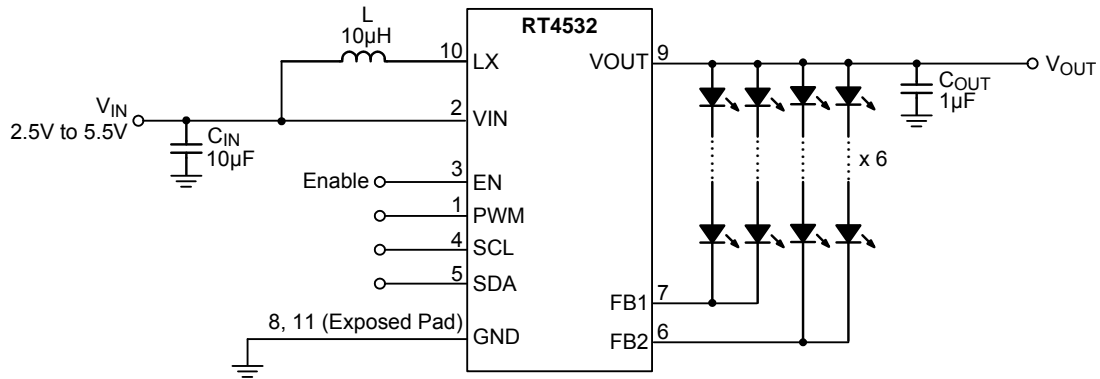
Note 1. Stresses beyond those listed “Absolute Maximum Ratings” may cause permanent damage to the device. These are stress ratings only, and functional operation of the device at these or any other conditions beyond those indicated in the operational sections of the specifications is not implied. Exposure to absolute maximum rating conditions may affect device reliability.

Note 2. θ_{JA} is measured at T_A = 25°C on a high effective thermal conductivity four-layer test board per JEDEC 51-7. θ_{JC} is measured at the exposed pad of the package.

Note 3. Devices are ESD sensitive. Handling precaution is recommended.

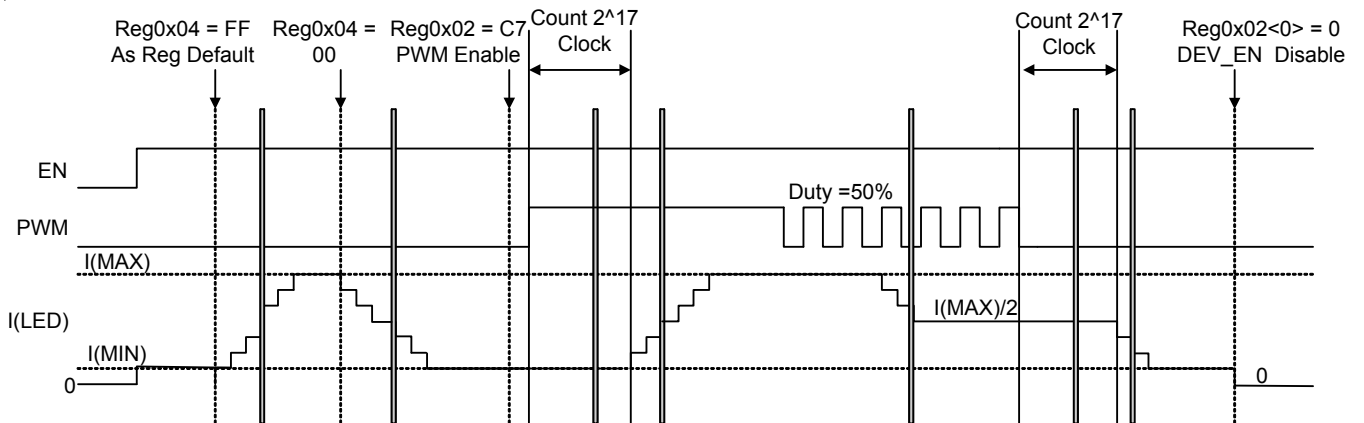
Note 4. The device is not guaranteed to function outside its operating conditions.

Typical Application Circuit



Timing Diagram

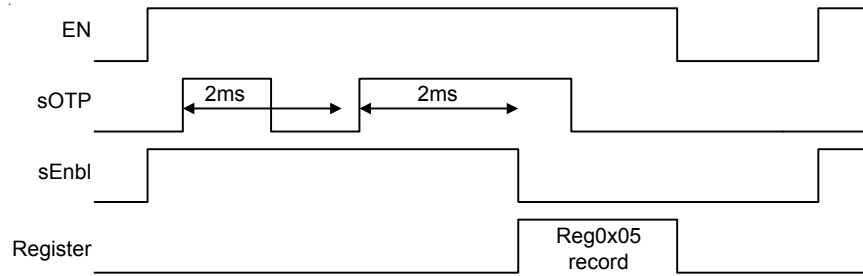
Power Sequence



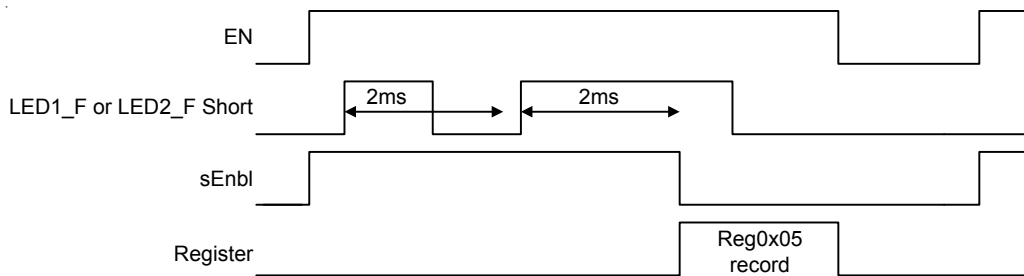
Note : PWM prd : count by OSC : 17.6MegHz
 > 1024 : Resolution = 7bits & < 1000 : Resolution = 8bits

Protection Timing

OTP



LED Short



LED Open

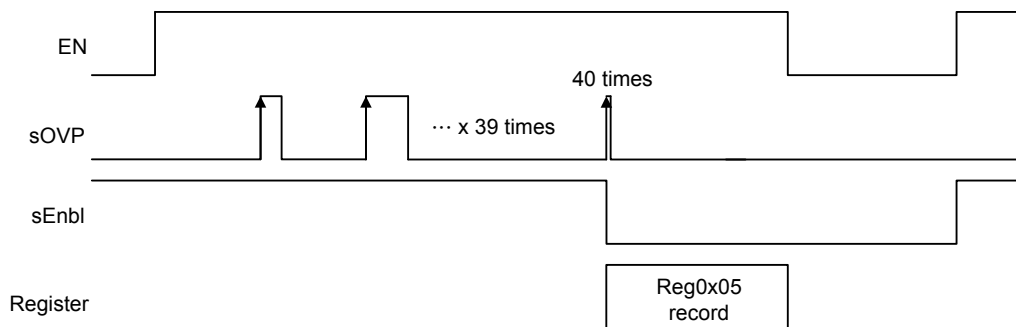
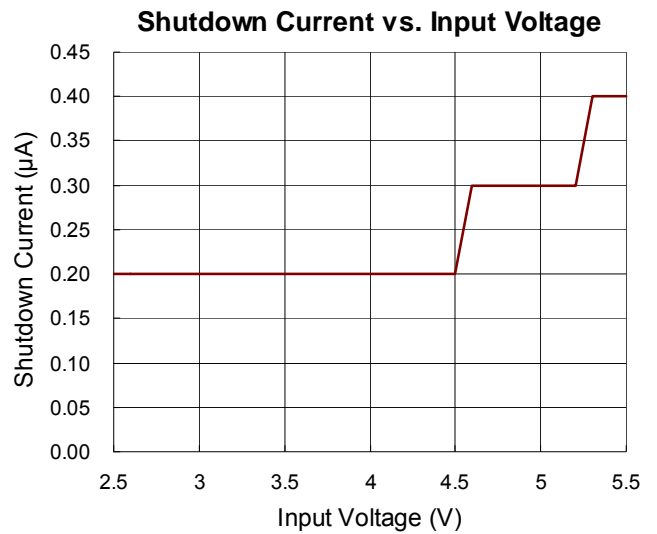
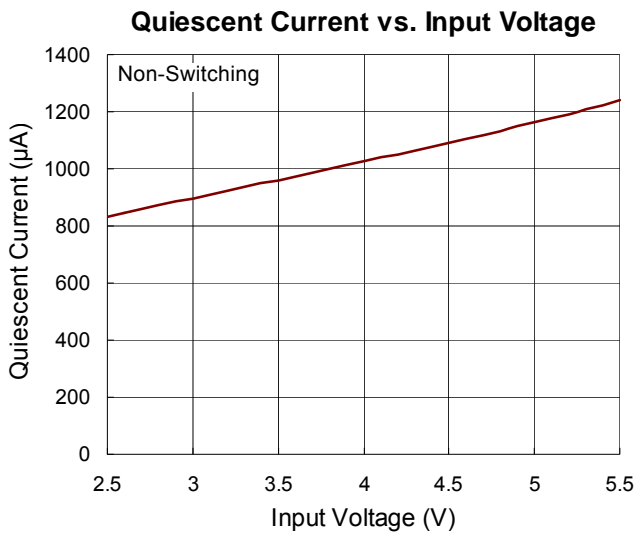
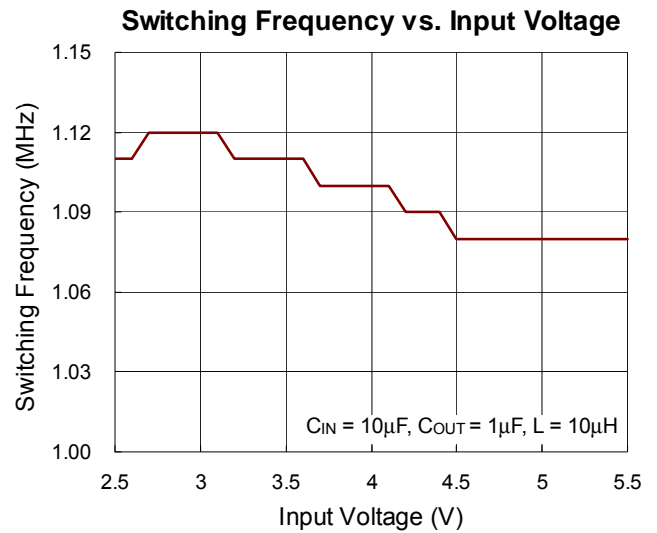
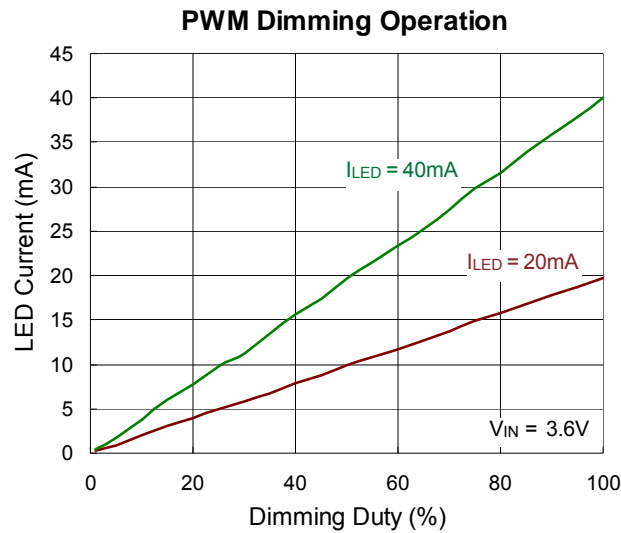
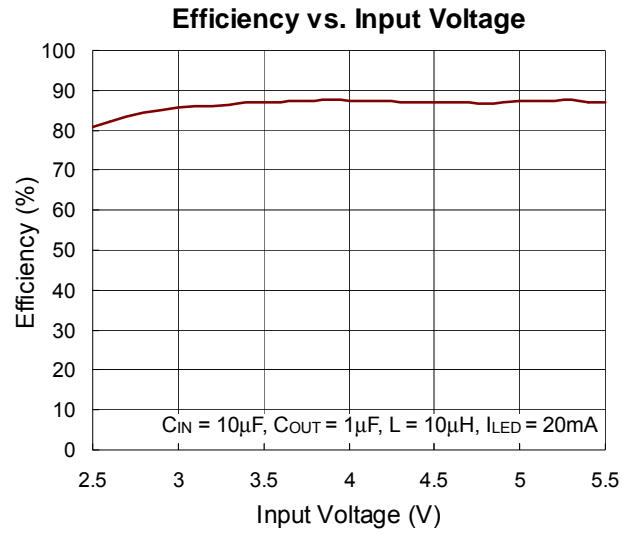
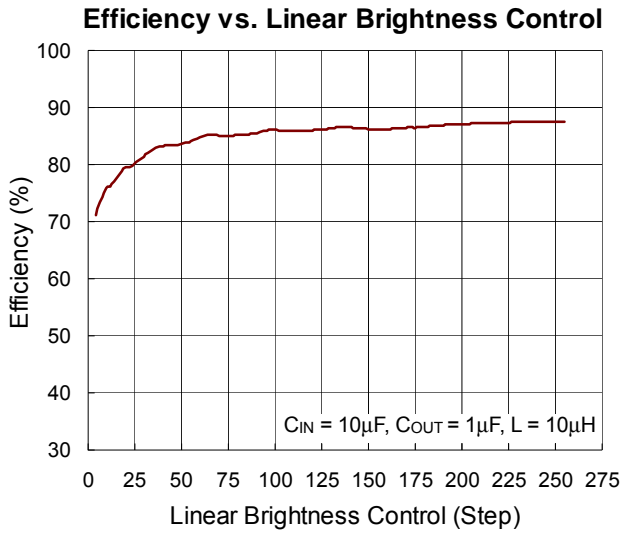


Table 1. Register Map

Slave Address = 0100010x

Address	Address Name	BIT	LABEL	Default (Reset Value)	Description
0x00	Device ID	7:0	DEV_ID		
0x01	Manufacture	7:2	REV	000000	Revision number
		1:0	VID	11	Vendor ID : Richtek
0x02	Config1	7	OVPsel	1	OVP threshold ([0] 16V, [1] 24V)
		6	PWM_EN	1	PWM enable : [0] Ignored, [1] Enable
		5	PWM_SET	0	PWM active setup : [0] High active, [1] Low active
		4	Reserved		
		3	MAX_Current	0	[0] 20mA, [1] 40mA,
		2	LED1_EN	1	Backlight LED1 : [0] OFF, [1] ON
		1	LED2_EN	1	Backlight LED2 : [0] OFF, [1] ON
		0	DEV_EN	1	CHIP enable : [0] OFF, [1] ON
0x03	Timing	7	RST_SW	0	Software reset : [0] Disable(Auto), [1] Reset all registers
		6	FSW	1	Switching frequency ([0]550kHz, [1]1.1MHz)
		5:3	UP_RATE	000	Brightness ramp-up rate : [000] 32μs, [001] 4.096ms, [010] 8.192ms, [011] 16.383ms, [100] 32.768ms, [101] 65.536ms, [110] 131.072ms, [111] 262.144ms
		2:0	DN_RATE	000	Brightness ramp-down rate : [000] 32μs, [001] 4.096ms, [010] 8.192ms, [011] 16.383ms, [100] 32.768ms, [101] 65.536ms, [110] 131.072ms, [111] 262.144ms
0x04	Linear Brightness Control	7:0	BRIGHT_LIN	00000000	[00000000] 0.39%, [00000001] 0.39%, [11111111] 100%
0x05	FLAG	7:4	Reserved	0	
		3	LED1_FT	0	LED1 short : [0] Normal, [1] Fault
		2	LED2_FT	0	LED2 short : [0] Normal, [1] Fault
		1	OVP	0	Output over voltage : [0] Normal, [1] Fault
		0	OTP	0	Over temperature : [0] Normal, [1] Fault

Typical Operating Characteristics



Application Information

LED Short Protection

LED short protection prevents abnormal connection to cause IC damage avoiding FB1/FB2 connecting power supply. And, If unbalanced LEDs series (cause FB1 or FB2 > 9.6V) is different between channel1 and channel2, IC will also occur LED short event. As LED short event occur more than deglitch time 2ms, IC will shut-down latch until IC is reset by EN pin.

Soft-Start

The RT4532 includes a soft-start function to avoid high inrush current during start-up. The soft-start function is achieved by clamping the output voltage of the error amplifier with another voltage source that is increased slowly from zero to near VIN during the soft-start period.

OCP Protection

The RT4532 features a 1A current limitation. The current flowing through the inductor during a charging period is detected by a current sensing circuit. If the value exceeds the current limit, the N-MOSFET will be turned off. The inductor will then be forced to leave charging stage and enter discharging stage. Therefore, the inductor current will not increase to reach current limit.

The over-temperature protection function will be latched at shutdown status when the junction temperature exceeds 140°C for 2ms. After re-power on sequence, the converter will automatically resume switching.

OVP Protection

The chip provides over-voltage protection function to limit the output voltage in abnormal conditions. The OVP threshold voltage is 24V/16V by selecting Reg0x02 <7>. Once the LED is open, the output voltage reaches the OVP threshold, the driver will be shut down.

Under-Voltage Lockout

An under-voltage lockout circuit prevents the operation of the device at input voltages below under-voltage threshold (2.3V maximum). When the input voltage is below the

threshold, the device is shut down. If the input voltage rises by under-voltage lockout hysteresis (200mV typical), the IC restarts.

Linear Brightness Dimming

The chip is built-in an I²C 8-bit resolution brightness control with maximum 20mA/40mA selection. Reg0x02 <3> corresponds to full-scale LED current control. Reg0x04 <7:0> sets 8bits resolution brightness dimming control.

$$I_{LED} = \frac{\text{Code}}{255} \times I_{LED, Full}$$

Where

$I_{LED, Full}$: the full-scale LED current set by Reg0x02 <3>.

Code : the 8bit brightness code Reg0x04 <7:0> programmed by I²C interface.

PWM Brightness Dimming

Besides programmable built-in I²C backlight LED current control, the RT4532 features a built-in PWM dimming current control by setting Reg0x02 <6> to 1, offering a linear current dimming by external clock source. In order to guarantee the PWM dimming resolution (7 bit at > 15kHz application), recommending dimming frequency have to be operated at range of 400Hz to 20kHz.

Inductor Selection

The recommended inductor value for dual-channel 6 WLEDs applications is 10μH. When selecting the inductor, the inductor rated saturation current should be higher than the peak current at maximum load. Small size and better efficiency are major concerns for portable devices. The inductor should have low core loss at 1.1MHz and low DCR for better efficiency.

Capacitor Selection

10μF input ceramic capacitor and 1μF output ceramic capacitor are recommended for driving dual-channel 6 WLEDs applications. For better voltage filtering, ceramic capacitors with low ESR are recommended. X5R and X7R types are suitable because of their wide voltage and temperature ranges.

Thermal Considerations

For continuous operation, do not exceed absolute maximum junction temperature. The maximum power dissipation depends on the thermal resistance of the IC package, PCB layout, rate of surrounding airflow, and difference between junction and ambient temperature. The maximum power dissipation can be calculated by the following formula :

$$P_{D(MAX)} = (T_{J(MAX)} - T_A) / \theta_{JA}$$

where $T_{J(MAX)}$ is the maximum junction temperature, T_A is the ambient temperature, and θ_{JA} is the junction to ambient thermal resistance.

For recommended operating condition specifications, the maximum junction temperature is 125°C. The junction to ambient thermal resistance, θ_{JA} , is layout dependent. For WL-CSP-10B 0.87x2.07 (BSC) package, the thermal resistance, θ_{JA} , is 99.6°C/W on a standard JEDEC 51-7 four-layer thermal test board. The maximum power dissipation at $T_A = 25^\circ\text{C}$ can be calculated by the following formula :

$$P_{D(MAX)} = (125^\circ\text{C} - 25^\circ\text{C}) / (99.6^\circ\text{C/W}) = 1\text{W for WL-CSP-10B 0.87x2.07 (BSC) package}$$

The maximum power dissipation depends on the operating ambient temperature for fixed $T_{J(MAX)}$ and thermal resistance, θ_{JA} . The derating curve in Figure 1 allows the designer to see the effect of rising ambient temperature on the maximum power dissipation.

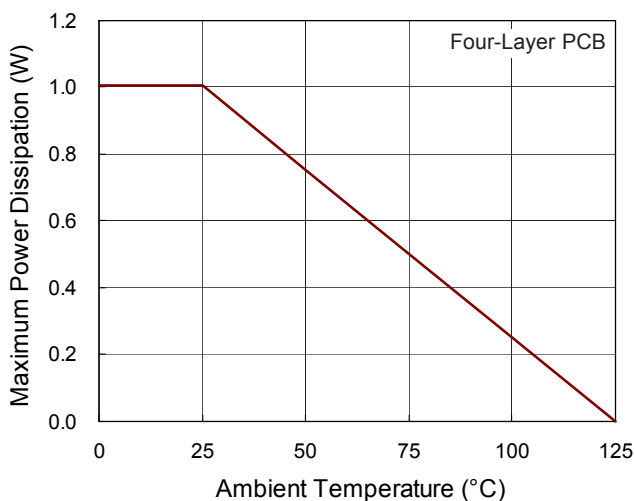
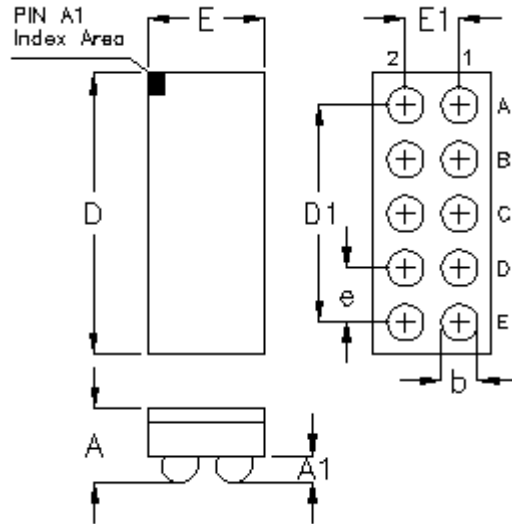


Figure 1. Derating Curve of Maximum Power Dissipation

Layout Consideration

As for all switching power supplies, the layout is an important step in the design, especially at high peak currents and switching frequencies. If the layout is not carefully done, the regulator might expose noise problems and duty cycle jitter. Therefore, use wide and short traces for high current paths. The input capacitor should be placed as close as possible to the input pin for good input voltage filtering. The inductor should be placed as close as possible to the switch pin to minimize the noise coupling into other circuits. The output capacitor needs to be placed directly from the VOUT pin to GND rather than across the LEDs. This reduces the ripple current in the trace to the LEDs. When doing the PCB layout, the bold traces should be routed first, as well as placement of the inductor, and input and output capacitors.

Outline Dimension



Symbol	Dimensions In Millimeters		Dimensions In Inches	
	Min	Max	Min	Max.
A	0.500	0.600	0.020	0.024
A1	0.170	0.230	0.007	0.009
b	0.240	0.300	0.009	0.012
D	2.020	2.120	0.080	0.083
D1	1.600		0.063	
E	0.820	0.920	0.032	0.036
E1	0.400		0.016	
e	0.400		0.016	

10B WL-CSP 0.87x2.07 Package (BSC)

Richtek Technology Corporation

14F, No. 8, Tai Yuen 1st Street, Chupei City
 Hsinchu, Taiwan, R.O.C.
 Tel: (8863)5526789

Richtek products are sold by description only. Richtek reserves the right to change the circuitry and/or specifications without notice at any time. Customers should obtain the latest relevant information and data sheets before placing orders and should verify that such information is current and complete. Richtek cannot assume responsibility for use of any circuitry other than circuitry entirely embodied in a Richtek product. Information furnished by Richtek is believed to be accurate and reliable. However, no responsibility is assumed by Richtek or its subsidiaries for its use; nor for any infringements of patents or other rights of third parties which may result from its use. No license is granted by implication or otherwise under any patent or patent rights of Richtek or its subsidiaries.