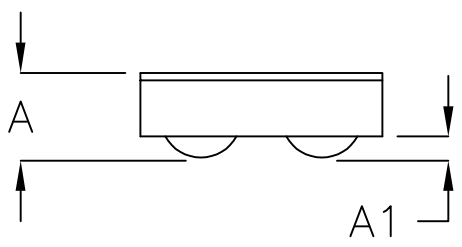
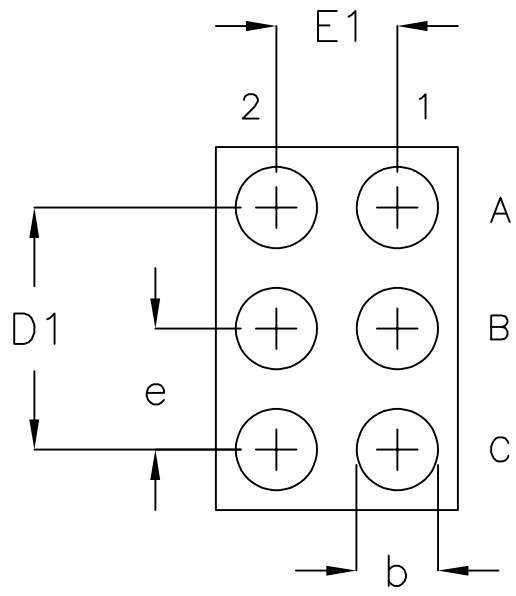
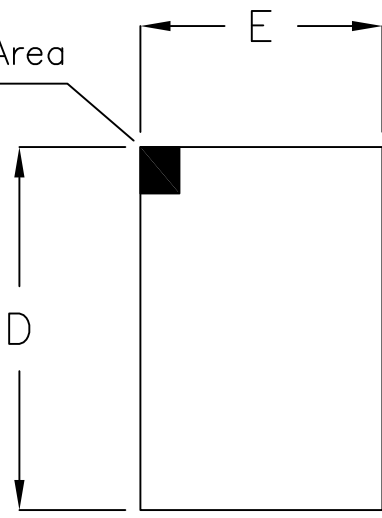


PIN A1  
Index Area



Symbol	Dimensions In Millimeters		Dimensions In Inches	
	Min	Max	Min	Max
A	0.250	0.330	0.010	0.013
A1	0.060	0.080	0.002	0.003
b	0.220	0.280	0.009	0.011
D	1.150	1.250	0.045	0.049
D1	0.800		0.031	
E	0.750	0.850	0.030	0.033
E1	0.400		0.016	
e	0.400		0.016	